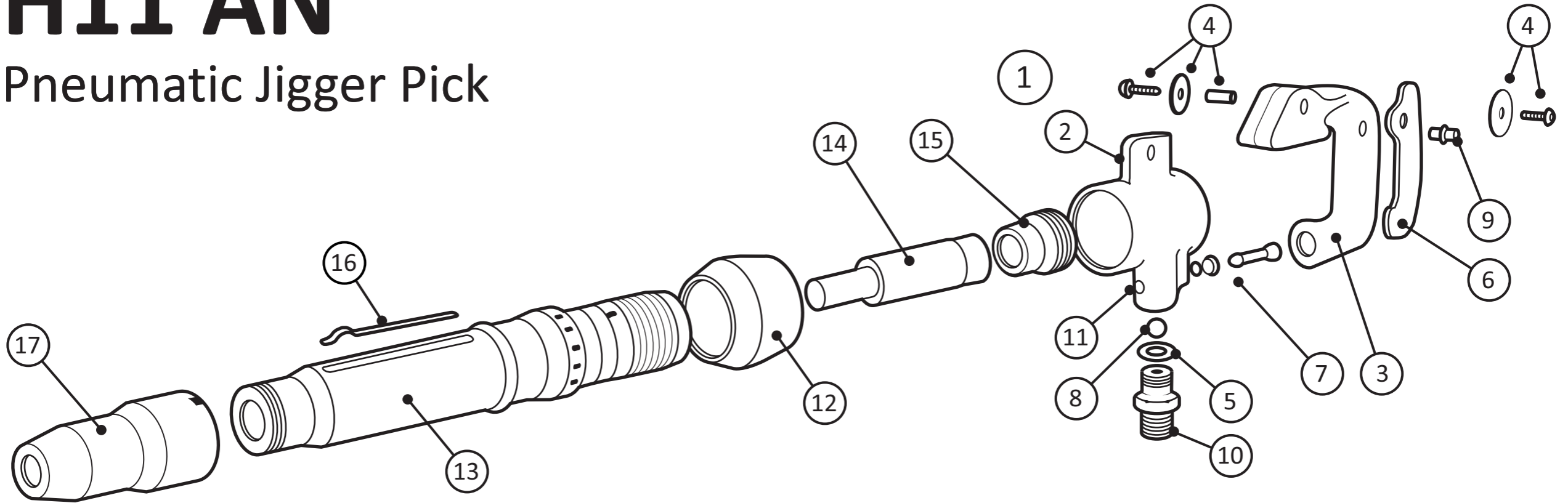


H11 AN

Pneumatic Jigger Pick



ITEM	DESCRIPTION	PART NO:
1	Handle Complete (Item 2-11)	17244
2	Handle Housing	17245
3	Handle	17249
4	Protective Cover Kit	17252
5	Bonded Seal	P281063
6	Trigger	17250

ITEM	DESCRIPTION	PART NO:
7	Plunger & Circlip	17246
8	Ball	17247
9	Trigger Pin	17251
10	Nipple Connection	49389
11	Socket Plug	P283028
12	Exhaust Cap	17265

ITEM	DESCRIPTION	PART NO:
13	Cylinder	17259
14	Piston	17260
15	Regulator	17261
16	Locking Spring	17264
17	Nose Cap	17263